

EL[®]MARK

The Brand of Electricity

DEEP RECESSED LED DOWNLIGHTS

GENERAL INFORMATION »

- ∴ Rated voltage: 230V/ 50-60Hz
- ∴ Power: 15W; 25W; 35W;
- ∴ Power supply: Control gear; DC device- driver
- ∴ Colour temperature: 3000K; 4000K; 6500K
- ∴ LED source: SMD
- ∴ Colour: White
- ∴ Body: Aluminium
- ∴ Reflector: Plastic
- ∴ Beam angle: 100°
- ∴ Colour rendering index: Ra≥80
- ∴ Switch on/off: >20 000
- ∴ Long life: 30 000h
- ∴ Protection against dust and moisture: IP44
- ∴ Available in variant with an emergency kit



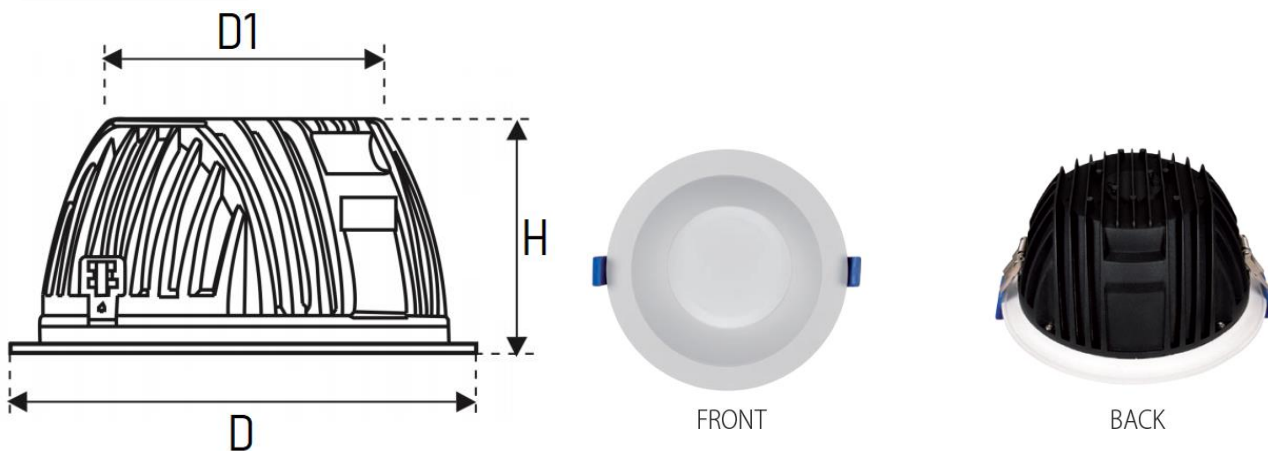
FEATURES »

- ∴ Energy-saving fixture in replacement of fluorescent downlights
- ∴ Safety, low voltage operation
- ∴ Installation in suspended ceilings
- ∴ Pleasant and uniform light distribution
- ∴ Low power consumption
- ∴ Instant light with maximum luminous flux
- ∴ Environmentally friendly - no mercury and lead
- ∴ No ultraviolet and infrared rays
- ∴ Resistant to shock and vibration-free body
- ∴ Modern luminaire designed for hotels, offices, conference halls, museums and restaurants.
- ∴ High degree of protection
- ∴ Lightweight construction

PRODUCT DETAILS »

Catalogue number	Catalogue number with Emergency kit	Watt (W)	Whole fixture lumens (lm)	Colour temp. (K)	Colour body
92FLD1530/WH	92FLD1530/WHE	15	1350	3000	white
92FLD1540/WH	92FLD1540/WHE	15	1350	4000	white
92FLD1565/WH	92FLD1565/WHE	15	1350	6500	white
92FLD2530/WH	92FLD2530/WHE	25	2250	3000	white
92FLD2540/WH	92FLD2540/WHE	25	2250	4000	white
92FLD2565/WH	92FLD2565/WHE	25	2250	6500	white
92FLD3530/WH	92FLD3530/WHE	35	3150	3000	white
92FLD3540/WH	92FLD3540/WHE	35	3150	4000	white
92FLD3565/WH	92FLD3565/WHE	35	3150	6500	white

DIMENSIONS »



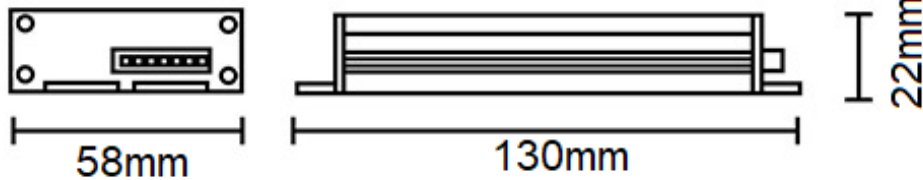
Catalogue number	Diameter (mm)	Height (mm)	Diameter1 (mm)
92FLD1530/WH	128	70	108
92FLD1540/WH	128	70	108
92FLD1565/WH	128	70	108
92FLD2530/WH	183	97	165
92FLD2540/WH	183	97	165
92FLD2565/WH	183	97	165
92FLD3530/WH	220	100	195
92FLD3540/WH	220	100	195
92FLD3565/WH	220	100	195

LED EMERGENCY KIT SPECIFICATIONS »

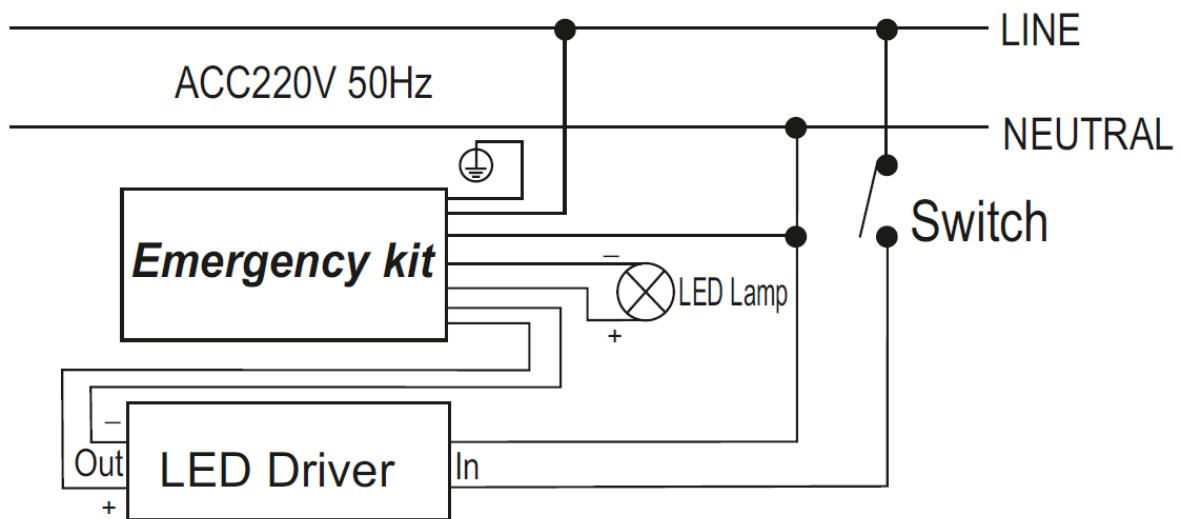


General information »

- ∴ Voltage: AC85-265V 50Hz
- ∴ Emergency Output: 3-40W
- ∴ Emergency Time: 2hrs (120mins)
- ∴ Battery: 3.7V 2400mAh
- ∴ Emergency Switching Time: <2s
- ∴ AC Fuse: 250V 1A
- ∴ DC Fuse: 250V 5A
- ∴ Luminous Flux: >100lm
- ∴ Light Source: LED
- ∴ Working temperature: -10°C +55°C
- ∴ IP Rate: IP30





Wiring diagram




● - It indicates the connection ● Red = Charging ● Blue = Emergency ● Green = Power

ADDITIONAL INFORMATION »


92FLD1530/WH




This luminaire contains built-in LED lamps.



L
E
D

The lamps cannot be changed in the luminaire.

874/2012


Catalogue number	Barcode	Packing/Box (pcs)
92FLD1530/WH	3800131207999	1/40
92FLD1540/WH	3800131208002	1/40
92FLD1565/WH	3800131208019	1/40
92FLD2530/WH	3800131208026	1/20
92FLD2540/WH	3800131208033	1/20
92FLD2565/WH	3800131208040	1/20
92FLD3530/WH	3800131208057	1/20
92FLD3540/WH	3800131208064	1/20
92FLD3565/WH	3800131208071	1/20

